

XINXIANG LIFEIERTE FILTER CORP
新乡市利菲尔特滤器股份有限公司

Office Address: No. 9 Hongli Road, Muye District, Xinxiang City, Henan Province, China .
Factory Address: Filter Industrial Zone, Beihuan Road, Muye District, Xinxiang
City, Henan P.R.China. Post code :453000
Tel: 0086-373-2515856
Fax: 0086-373-3339377
Web: www.xxfilter.com
E-mail: overseas@xxfilter.com

LEFILTER[®]

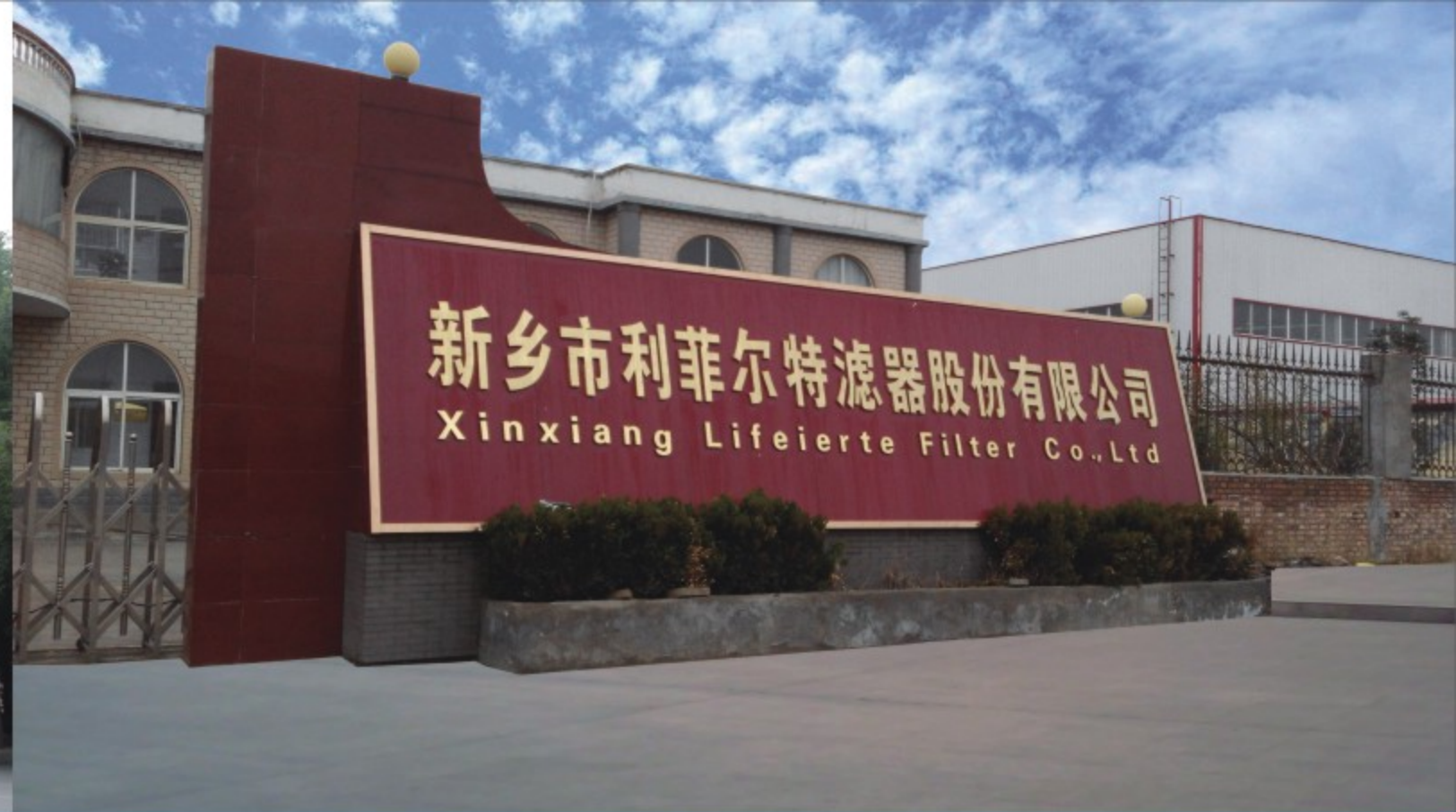
XINXIANG LIFEIERTE FILTER CORP
新乡市利菲尔特滤器股份有限公司

Short Name: Xinxiang Filter Stock code : 837936



● Air Filtration Technology

XINXIANG · CHINA



Directory Company Profile

Short Name: Xinxiang Filter
Stock code : 837936

Dust Collector.....	01
Cartridge Filters.....	07
Filter Bag & Cage.....	11
Air Filter.....	13
Dust Collector Accessories.....	15
Application.....	17

China Famous Air Filter and Dust Collector Series Manufacturer!
Xinxiang Lifeierte Filter Corp.,Ltd (Stock code:837936)is specialized in manufacture of dust extraction equipments and filter parts for air pollution control industry . Not only supply standard dust collector equipments, but also design and build units according to customer's special requirements and site conditions. We still insist on" Quality is our life!" providing better service by professional team. We are looking forward to your contact and helping you solve the dust collection problems. We hope to be your one-stop supplier for all your industrial air filter products.

Products

cartridge dust collector, baghouse dust collectors, mobile Dust Collector, shaker bag dust collector, rotary valve, replacement cartridge filters, bag filters, bag cages and other dust collector parts.

Application

production of air purification equipment and air filter is widely used in Steel,Woodworking, Abrasive Blasting, Chemical, Food, Mineral, Pharmaceutical, Cement & rocks, Metal processing, Paint & pigments, Welding, Laser and plasma cutting, Grindings ,Thermal spray, shipbuilding and other industries

Users

With more than 300 successful installations case, our customers come from: China, Canada, USA, Brazil, U.K., Netherlands, Belgium, Italy,Korea, Israel, Saudi Arab, Australia, New Zealand, Malaysia, Indonesia,Thailand and South Africa,ect. If you need a dust collector or have problems in dust collection, please feel free to contact us anytime.

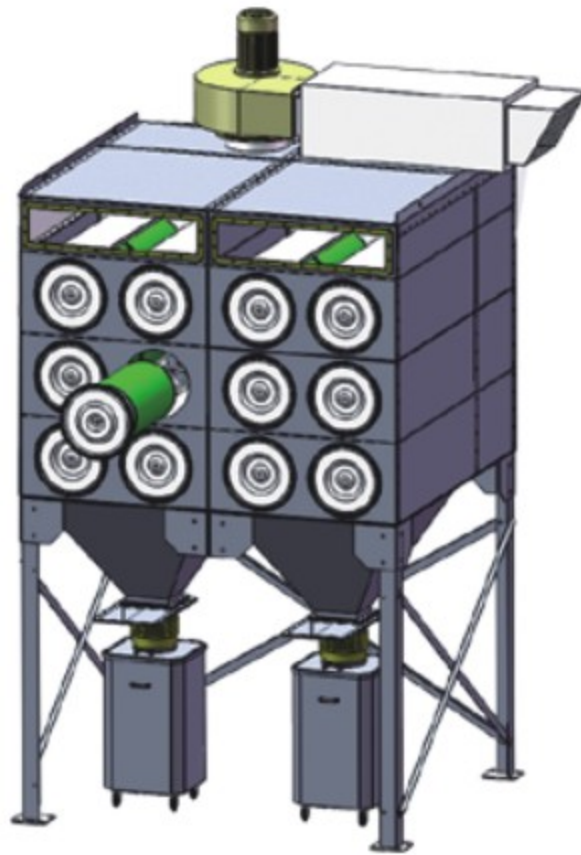
About Us



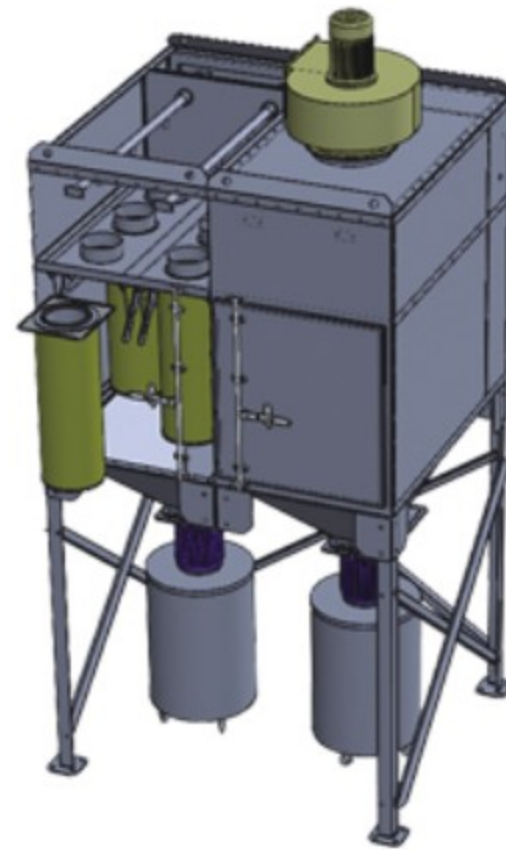
Partner



Cartridge Dust Collectors



Horizontal Cartridge Dust Collector



Vertical cartridge Dust Collector

Descriptions

The cartridge dust collector is operated under negative pressure. The dust-containing gas enters the tank through the air inlet; Under the action of the negative pressure in the folding filter cartridge, the gas enters the cylinder through the filter material outside the cylinder, and then enters the clean air chamber, and finally the clean gas is discharged from the air outlet. When the dust accumulates on the surface of the filter material, the resistance is getting larger and larger (can also be set by time), the pulse valve is opened, the compressed air is directly sprayed into the center of the filter cartridge, and the filter cartridge is sequentially pulsed to remove the dust, and the dust on the surface of the filter cartridge is purged.

Features

1. High dust removal efficiency, it can filter fine dust.
2. Modular combination, small size and easy installation.
3. Simple operation and easy maintenance.
4. Low resistance loss. The maximum resistance of the equipment is not more than 1500Pa.

Applications

Metal working, mineral, cement, shipbuilding, painting, welding smoke, tobacco, cleaning (spray) pills, electricity, food, chemicals, building materials.

Technical Data

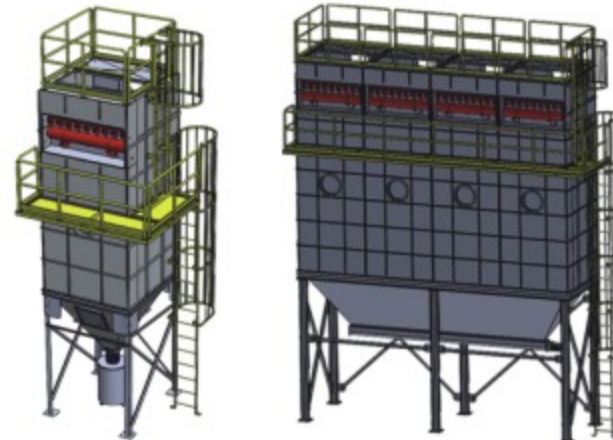
Model	Cartridge Numbers	Filter Area(Sq.M)*	Valve Numbers	Standard Container Loading Numbers		
				20GP	40GP	40HQ
CDHR 2-8	8	184	4	9	9	
CDHR 2-12	12	276	6	7	7	
CDHR 2-16	16	368	8	5	5	
CDHR 2-24	24	552	12	3	3	
CDHR 2-36	36	828	18	2	2	
CDHR 3-12	12	276	6	4	9	
CDHR 3-24	24	552	12	2	4	
CDHR 3-36	36	826	18	1	3	
CDHR 3-48	48	1104	24	1	2	
CDHR 3-60	60	1380	30	1	1	
CDHR 3-72	72	1656	36	0	1	
CDHR 4-16	16	368	8	4	8	
CDHR 4-32	32	736	16	2	4	
CDHR 4-48	48	1104	24	0	0	
CDHR 4-64	64	1472	32	0	0	
CDHR 4-80	80	1840	40	0	0	
CDHR 4-96	96	2208	48	0	0	
CDHR 4-112	112	2576	56	0	0	
CDHR 4-128	128	2944	64	0	0	

* The filter areas are based on the filters with cellulose media. Please contact us for filter area with other filter media

Bag Dust Collectors

Descriptions

Baghouse dust collectors are using needle felt bags for filtering and reverse pulse compressed air to clean filters. After the dust loading gas enters the filter chamber, the dusts are filtered on the surface of bags, and clean air is discharged from the top of the filter bags. When the differential pressure across the bags reaches a certain value, the compressed air will be blown into the center of bags through nozzles, leading the surrounding air into the bags. The expansion force inside the bags will blow off the dusts on the bag surfaces. The bags restore their pressure drop and recover the filtration performance.



Single Module Baghouse

Multi Module Baghouse

Features

- 1.The total system is modular design. Each modular can be shipped in a standard container, greatly saving the shipping freight.
- 2.Most components pre-installed in factory to minimize installation on site. No welding work is required on site, which allows quickest erection of system.
- 3.Low pressure high filtration efficiency needle felt bags let the baghouse system work under lowest energy consumption.
- 4.Advanced pulse clean technology makes the compressed air consumption to a minimum, effectively reduces the operation cost.
- 5.Special deflector chamber on the inlet entry effectively knock down the large particles to hopper directly. Protecting the bags and increasing their lives.
- 6.Each modular is available in different height to accommodate different airflow. Inlet and outlet are special designed to achieve optimal airflow.
- 7.Minimum maintenance and tool-free maintenance for filter bags & cages. Easy access doors on top of dust collectors.
- 8.Specially designed pulse valve chamber to protect the valves and control the pulse cleaning noise.

Application

Cement, Woodworking, Chemical, Foundry, Furnace, Grain, Lime, Asphalt, Rubber, Glass, Plastic, Mineral, Ceramics, Stone crushing, Battery, Pigment, Abrasive blasting

Specifications

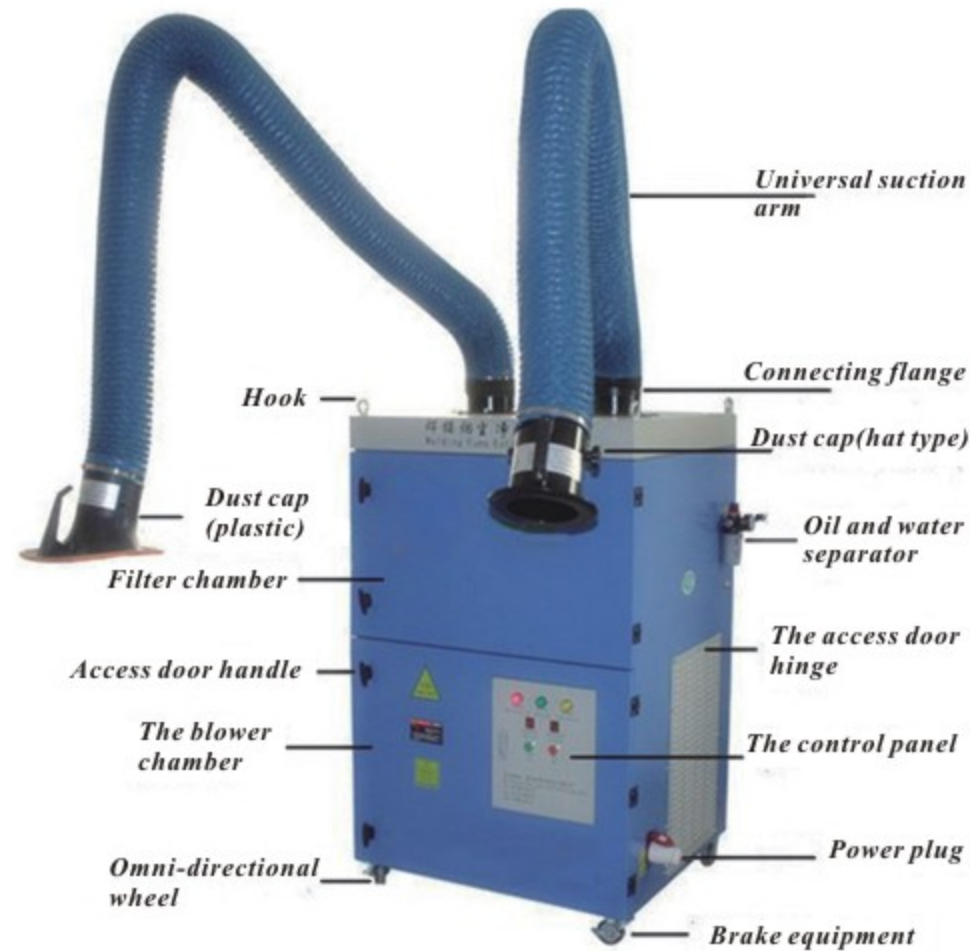
Model	Bag Size	Bags	Filter Area	Airflow
MC20	Φ130MM * L: 2000MM	100	81 M2	9600CMH
MC25	Φ130MM * L:2500MM	100	102 M2	12000CMH
MC30	Φ130MM * L:3000MM	100	122 M2	14400CMH
MC35	Φ130MM * L:3500MM	100	142 M2	16800CMH
MC40	Φ130MM * L:4000MM	100	162 M2	19200CMH
MC45	Φ130MM * L:4500MM	100	183 M2	21600CMH

1) Unit for drawing: mm; 2) Filter area: Sq. M.

Dust Collector Structure



Welding Fume Extractors



Available for both one/single arm and double arms.

Features

1. It can be flexibly moved to any position of the factory building, and is not subject to the constraints of dusting points and posts.
2. The equipment is equipped with universal casters to facilitate the positioning and movement of the equipment.
3. Under the rated treatment air volume, the dust removal rate is $\geq 99.97\%$, and the clean air discharged after treatment can be directly discharged in the workshop.
4. Using PTFE polyester film filter material, high precision, high purification efficiency, low cost of consumables, no need to change frequently, saving environmental protection.
5. The device built-in automatic pulse cleaning device, to maintain a constant suction capacity of the device, and a constant purification capacity. (can be selected according to requirements)
6. Using a flexible suction arm, can hover anywhere in the three-dimensional space, 360 degrees easily and flexibly reach the dust point in any direction.
7. Special noise reduction and noise reduction treatment ensures the noise and environmental protection of the equipment.
8. The equipment is simple to operate, easy to clean and maintain.

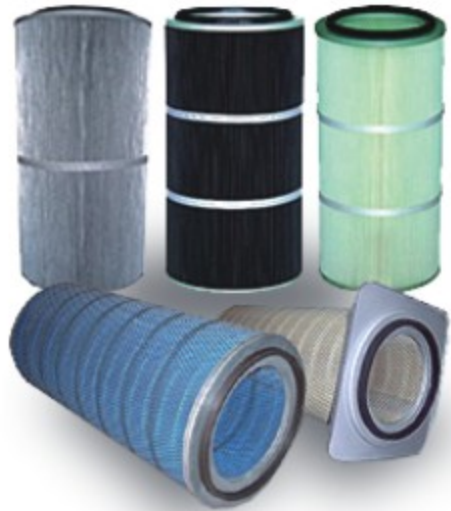
Application

Used for purification of the smoke and dust during the welding, polishing, cutting, grinding process and and other workplaces that generate smoke., can purify large amounts of suspended small metallic particles in the air.

Technical parameters

Model	LFHY-2000J	LFHY-2000G	LFHY-3000	LFHY-4000	LFHY-5000
Power (KW)	0.75/1.1/2.2	1.1/1.5	1.5/2.2	2.2/3	3/5.5
Voltage (V)	220/380	220/380	220/380	220/380	380
Rotation rate (r/min)	2840	2840	2840	2840	2840
Air flow (m ³ /h)	1900-2400	1900-2400	2500-3100	3400-4100	3800-4600
Wind presssure (Pa)	1350-1240	1350-1240	1510-1390	1720-1580	1900-1740
Noises (< dB)	62	65	70	75	78
Method of installation	Buckle type rotary assembly	Buckle type rotary assembly	Buckle type rotary assembly	Buckle type rotary assembly	Buckle type rotary assembly
Filter Element	LFHY-3540	LFHY-3550	LFHY-3550	LFHY-3560	LFHY-3560
Element Qty	1	1	2	2	4
Filtration area (m ²)	10	10	16	20	36
Cleaning control	NO	pulse	pulse	pulse	pulse
Ash removal mode	NO	automation	automation	automation	automation
Air supply	No	User provided	User provided	User provided	User provided
Smoke suction arm size (mm)	160*2000	160*2000	160*2000	160*3000	160*3000
Smoke suction arm qty	1	1	1	2	2
The whole machine size (mm)	500*500*1100	650*650*1300	650*850*13000	800*850*1400	900*850*1500
whole machine weight (kg)	60	75	85	110	130

Cellulose Cartridge Filter



Filter Media Types

- 100% cellulose
- Cellulose/Polyester blend
- Cellulose with flame retardant treatment

Features

- Lowest energy consumption to save cost
- Great filter surface and airflow
- Uniform pleat spacing is maintained

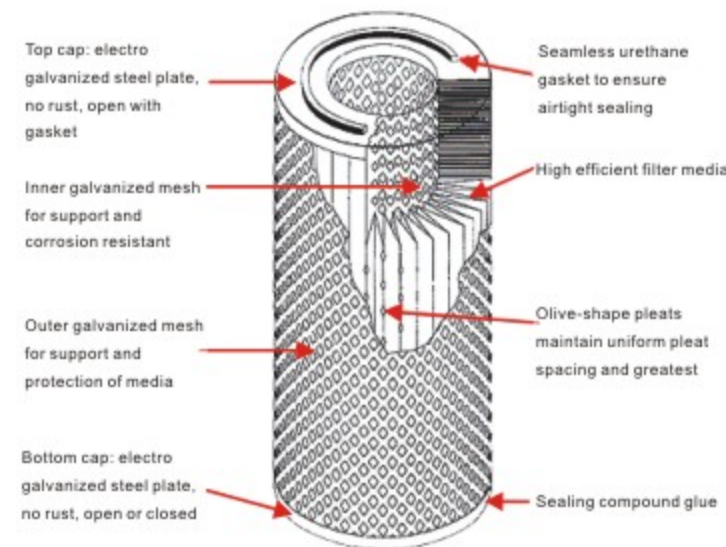
Applicable Temperature: 65°C

Typical Applications

A wide applications, dry and granular shaped particulate such as Metal working, Shot Blasting, Mining industry, Tobacco, Chemical, Gas turbine, Compressor, and dust removal.

Specifications

Model	O.D	I.D	Length	Diameter of hole
LF/Z3266	Φ324mm	Φ213mm	660mm	Φ14
LF/Z3275	Φ324mm	Φ213mm	750mm	Φ14
LF/Z3566	Φ352mm	Φ241mm	660mm	Φ16
LF/Z3288	Φ324mm	Φ213mm	880mm	Φ16
LF/Z3290	Φ324mm	Φ213mm	915mm	Φ16



Gas Turbine Air Intake Filter Cartridge



Descriptions

1. Gas Turbine Air Intake Filter cartridges are modern and reliable for gas turbines and Air compressors .
2. They ensure high efficient filtration of dust and other contaminants even in the most polluted environments.
3. Normally these are made of mixture of polyester & cellulose and Nanofiber media.
4. These media have much better pleat ability & dimensional stability.

Specifications

Model	Shape	O.D(mm)	I.D(mm)	Length(mm)	Filter area(m ²)
LF-01	cylinder	324	213	559(22")	18
LF-02	cylinder	324	213	660(26")	21
LF-03	cylinder	324	213	700(27.5")	22.3
LF-04	cylinder	324	213	735(29")	23.5
LF-05a	cylinder	408	293	875(34.5")	33.2
LF-05b	cylinder	408	293	559(22")	21.6
LF-06(twist lock)	cylinder	324	213	865(34")	25
LF-01	cone	445-324	330-213	660(26")	23.3
LF-02	cone	324-250	213-134	660(26")	16.4
LF-03	cone	408-324	293-213	711(28")	23
LF-04(twist lock)	cone	408-324	293-213	925(36.6")	34.3
LF-01(TenKay type)	cylinder	324Top cap size:406×362	213	668(26.3")	22
LF-02(TenKay type)	cylinder	324Top cap size:406×362	213	875(34.5")	28

Note: Accept the replacement Donaldson Air Filter.

Polyester Cartridge Filter



Filter Media Types

- 100% spun bond polyester
- Polyester with antistatic treatment
- Polyester with oil & water repellent treatment
- Polyester with PTFE membrane

Features

1. Durable and rigid material, washable
2. Excellent resistance against electric conductance, oil and water
3. Wide pleat spacing and smooth, hydrophobic PTFE provides excellent dust cake release
4. Highest filter efficiency to meet the stringent efficiency requirements
5. Excellent resistance to chemical erosion

Applicable Temperature: 120°C

Typical Applications

Filtration for very fine dust types in Metal, Woodworking, Chemical, Pigment, Cement, Food Paper, Plastic, Sandblasting, Powder Coating, Welding Fume, Foundry, Pharmaceutical and other sticky agglomerative dust collections.

Specifications

Model	O.D	I.D	Length
LF/P3266	Φ324mm	Φ213mm	660mm
LF/P3566	Φ352mm	Φ241mm	660mm
LF/P3275	Φ324mm	Φ213mm	750mm
LF/P3288	Φ324mm	Φ213mm	880mm
LF/P3290	Φ324mm	Φ213mm	915mm

Pleated Bag Filters



Filter Media Types

- Water and oil repellent treatment.
- Antistatic treatment.
- PTFE membrane treatment.

Features

- (1) World famous brand filter media: 100% spun bond polyester Smooth surface of filters.
- (2) Highest filter efficiency more than 99.99% Proper number of pleats, wide and rigid pleats Large Length-to-OD ratio.
- (3) Offers excellent dust release Incorporate design according to requirements Various installation options available.
- (4) Airtight gasket accessories available Applications in many temperatures conditions.

Specifications

Model	Filter area	Length	Cartridge (2mLength)	Media Weight	Air permeability	Media type
LF-P1	2.3m ²	1m	135°C	270g/m ²	7m ³ /m ² /min 12mm WC	Spun bond polyester
LF-P2	4.6m ²	2m	135°C	270g/m ²	7m ³ /m ² /min 12mm WC	Spun bond polyester
LF-D1	2.3m ²	1m	135°C	270g/m ²	7m ³ /m ² /min 12mm WC	Antistatic Spun bond polyester
LF-D2	4.6m ²	2m	135°C	270g/m ²	7m ³ /m ² /min 12mm WC	Antistatic Spun bond polyester
LF-F1	2.3m ²	1m	135°C	270g/m ²	7m ³ /m ² /min 12mm WC	Spun bond polyester + PTFE
LF-F2	4.6m ²	2m	135°C	270g/m ²	7m ³ /m ² /min 12mm WC	Spun bond polyester + PTFE
LF-N1	2.3m ²	1m	190°C	500g/m ²	7m ³ /m ² /min 12mm WC	
LF-N2	4.6m ²	2m	190°C	500g/m ²	12m ³ /m ² /min 12.7mm WC	

Inquiry details: Filter dimension ,Media,Image ,Filter Area,ect.

Filter Bag



Cement Industry

1. The head and tail of the rotary kiln: It generally uses high temperature bag (glass fiber mat, fluorine mae).
2. Shaft kiln: glass fiber filter bags are generally used.
3. Others: Polyester needle-punched felt, waterproof and oil-resistant needle-punched felt and antistatic needle-punched felt are used.



Metallurgical Industry

- (1) Dust removal of the blast furnace gas: Fluorine needle-punched mat is commonly used.
 - (2) Dust removal of the taphole: Polyester needle-punched felt is generally used.
- Steelworks: Polyester needle-punched felt (or mat) or coating needle-punched felt (or mat) is used by electric furnace or converter.

Sintering plants

- (1) Head of the sintering machine: High-temperature glass fiber needle-punched felt is commonly used.
- (2) Tail the sintering machine: Polyester needle-punched felt (or mat) or coating needle-punched felt (or mat) is used.

Power Industry

Dust removal of the boiler in the power plant: Imported PPS (polyphenylene sulfide) needle felt is generally used, but some manufacturers also use imported glass fiber coated filter bag or METAX filter bag.

Carbon Black Industry

Generally used is glass fiber needle felt with PTFE post-processing, but sometimes bulk yarn glass fiber filter bag is also used.

Calcium Carbide And Ferroalloy Industry

Glass fiber filter bag is commonly used, but sometimes fluorine mae filter bag or glass fiber mat filter bag is also used.

Common specifications are as follows, but special size can be customized.

133*1000	133*1500	133*2000	133*2450	133*3000
160*1500	160*3000	160*6000	300*2000	600*4000

Customize as your required sizes

The above are commonly used products. As for other special industries, on-site visit will be needed and the choice can also be made according to the bag material used before. Anyway we will make every effort to achieve accuracy and customize special specifications.

Bag Cage



Descriptions

Bag cages are ribs of a filter bag and it should be light and easy for installation and maintenance. The quality of a frame has a direct bearing on the filtering state and service life of a filter bag.

Cage Style

Round, oval, flat, envelope style

Cage Material

Low carbon steel, galvanized steel, stainless steel

Cage Vertical wires

8, 10, 12, 18, 20 even 24 vertical wires available

Cage Top

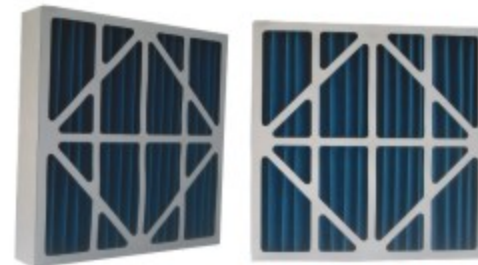
Roll flange, roll flange with venture, roll band low groove, straight flange, and multi-pieces body design

Cage surface treatment

Galvanizing, powder coat, antirust treatment, Teflon finish, epoxy finish and organic silicon coating.

HVAC Filter

Chemical fiber filter, efficiency specifications: G3-G4.
Aluminum frame can be cleaned and can automatically change filter material; paper frame is disposable
It is generally used in simple first-level filtering air conditioning and ventilation system.



Specifications:

595x595x46 (G3, G4)	290x595x46 (G3, G4)
595x595x96 (G3, G4)	290x595x96 (G3, G4)

Panel Filter

Glass fiber filter material, efficiency specifications: G2-F6, metal frame, long glass fiber, replaceable filter material.
It is generally used in coarse dust filtration and high temperature oven in Automobile Coating Factory



Specifications:

595x595x46 (G3, G4)	290x595x46 (G3, G4)
595x595x96 (G3, G4)	290x595x96 (G3, G4)

High Efficiency HEPA Filter

With Pleat HEPA filter: classic high efficiency filters, efficiency specifications : 99.99% (sodium flame method)
Without Pleat HEPA filter: clean room terminal HEPA filter, efficiency specifications: 99.95%, 99.995%, 99.9995% (MPPS). International general specification, imported high- quality glass fiber filter paper.
Generally used in clean programs of each industry filtration, air conditioning of special requirements and processing air supply system.



Specifications:

610x610x150	305x610x150	915x610x150	1219x610x150
610x610x292	305x610x292	915x610x292	1219x610x292
320x320x220	484x484x220	726x848x220	968x484x220
630x630x220	315x630x220	945x630x220	1260x630x220
305x305x70	305x610x70	610x610x70	762x610x70
915x610x70	1219x610x70		
305x305x90	305x610x90	610x610x90	762x610x90
915x610x90	1219x610x90		

V Bank Air Filter

Chemical fiber filter material, efficiency specifications: F7—H10, burnt 100%;
Imported glass fiber filter material, efficiency specifications F6-F8, H10;
High strength, and used in inlet of the air filter of gas turbine and compressor.
Generally used in central air conditioning and industrial ventilation system.



Specifications:

592x592x292	287x592x292	490x592x292
-------------	-------------	-------------

Active Carbon Air Filter

- Application:
 - Used in the IAQ place. HVAC system.Used in the airport, hospital, semiconductor factor.
 - Biology company where require high air quality of the in-room environment.
- Type: Active carbon plank filter
- Frame: Stainless or aluminum frame
- Media: Active carbon
- Protect mesh: Aluminum mesh or spray iron mesh



Pocket Bag Filter

Imported glass fiber filter material, efficiency specifications: F5-F8, commonly used, long service life, stable performance, traditional product;
Imported chemical fiber filter material, efficiency specifications: F5-F8, environmental protection, flame retardant, popular nowadays.
The primarily-efficient f bag filter, efficiency specifications G3-G4, washable and cheap.
It is generally used in central air conditioning and central ventilation system



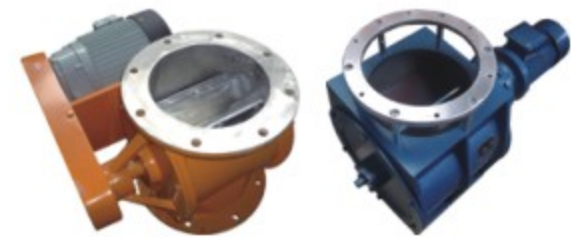
Specifications:

Type	3bag type	4bag type	5bag type	6bag type	8bag type	9bag type	10bag type	12bag type
G3, G4	287x592x350		490x592x350	592x592x350		897x592x350		
F5	287x592x60		490x592x600	592x592x500				
			490x592x500	592x592x600				
F6		287x592x650	287x592x650	287x592x650	592x592x650		592x592x650	
		287x592x550		490x592x650				
				490x592x550				
F7		287x592x650	287x592x650	287x592x650	592x592x650		592x592x650	
		287x592x550		490x592x650				
				490x592x550				
F8		287x592x650	287x592x650	287x592x650	592x592x650		592x592x650	592x592x650
		287x592x550		490x592x650				
				490x592x550				

Dust Collector Accessories

Centrifugal Fan

Centrifugal Fan have forward and backward curved blades, single and double inlet, with or without housing, ideal for general extraction and cabinet cooling applications. Additional dampers, silencers and speed controllers can be fitted on them.



Rotary Valve

Rotary airlock is special equipment applicable for unloading, packing, mixing, dust collection, metering, rationing conveying of solid materials (powder, particles and its mixtures) conveying system. Materials can be discharged equably and continuously to the downstream unit according to the conveying system requirements.

Diaphragm & Solenoid Valve

Diaphragm and solenoid valves work together for efficient operation of the dust collector cleaning system. They are the "switch" for compressed air in the dust clean blowing system. Controlled by the output signals of the pulse jet controller, they make dust clean to the filters by filters to keep the pressure drop of dust collector within the set range and thus guarantee the filtering functions and the efficiency of dust collector.



Pulse Valve Controller

Pulse valve controller is the main control equipment in the dust cleaning system of pulse jet dust collector. Its output signals control the solenoid valves, which spray and inject compressed air to clear dust from the filter elements in sequence. The controller output pulse interval and pulse width are set according to the dust cleaning requirement of the dust collector to ensure that the system resistance remains within the set range.

Differential Pressure Gauge

Differential pressure gauge quickly indicates low air or non-corrosive gas pressures, either positive/negative or differential pressures. The design resists shock, vibration and over pressures. It is an industry standard to measure fan and blower pressures, filter resistance, air velocity, furnace draft, pressure drop across orifice plated, liquid levels with bubbler system and pressures in fluid amplifier or fluidic systems.



Venturi

Venturi is used to induce surrounding air to enhance cleaning. When pulse cleaning, the high speed airflow induces 5-8 times more than compressed air to blow into the filter elements. This causes filter elements expand instantly. Due to the reaction of airflow, the dusts loaded on the filter elements will be brushed off. Venturi greatly improves the pulse clean strength and effects, save the compressed air and energy.



Injection nozzle

High-velocity injection nozzle assembly makes airflow uniform in injection, not deviated from the center, lower resistance than direct tapping in the nozzle. The supersonic airflow formed by the hole in the nozzle enables surrounding air to enter the injection nozzle so that an expanded airflow may inject into the filter bag center, producing better dashing effects.

Bulk Head Connector

The bulk head connector consists of an aluminum alloy cast part, stainless punched part and rubber part and is for the connection of inner and outer pipe of airtight containers such as the connection between the blowing tube of pulse jet bag-house and rectangular pulse valve (batten wall mounted) and between submerged electromagnetic pulse valve and outlet pipe (head tank mounted). It can be reliably fixed and sealed without welding and is convenient for installation and maintenance.



Explosion Relief Vent

To avoid and minimize any possible explosion damage, explosion relief vents have to be used. They feature high pressure precision, large release area, excellent gas tight, safe and reliable. They can blow up at full opening under low pressures from 0.005MPa to 0.05MPa.

Material Level Sensor

Material level sensors are used to indicate the material levels. They give alarm signals when the dusts reach the set level in dust drums or bins.



Application

The filtration products were used for Power Plant ,Steel Plant ,Cement Plant,Oil&Gas field, Petrochemical, Refineries, Paper mills,Textile,Mine,Railway,Food and beverage, Paint & pigments , and other industrial sectors.



Power plant



Steel plant



Cement Plant



Marine Service



Chemical



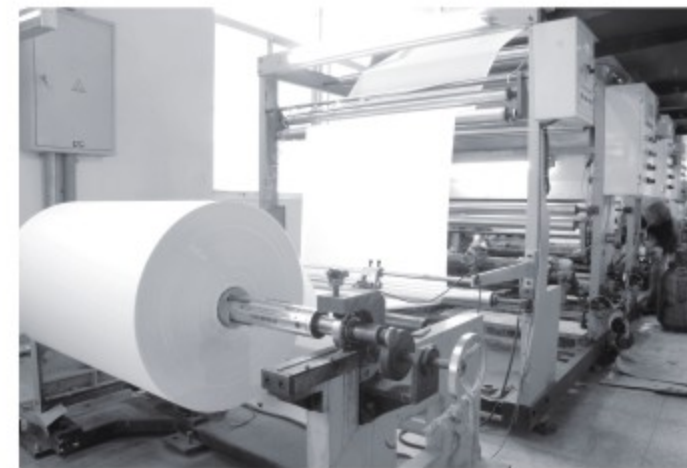
Mining



Oil & Gas



Pharmaceutical



Pulp & Paper



Shipbuilding



Woodworking



Powder Coating